

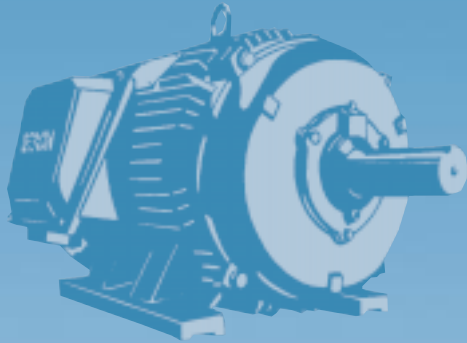
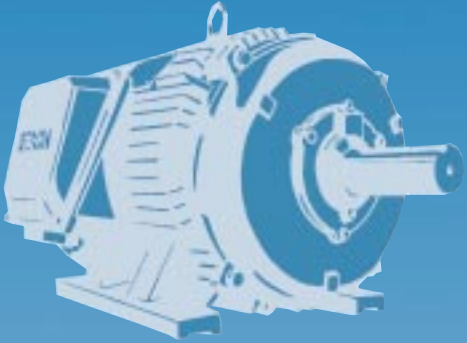
PRACTICAL MOTOR BASICS

A Guide To...

- Selecting
- Applying
- Maintaining

Industrial-Duty
Electric Motors

Presented By



PRACTICAL MOTOR BASICS

A Publication Of

LEESON ELECTRIC CORPORATION

GRAFTON, WISCONSIN 53024-0241

Fourth Printing
Copyright © 1997

Price \$10.00

Contents

I.	<i>Introduction.....</i>	<i>page 6</i>
	Electric Motor History and Principles	
II.	<i>General Motor Replacement Guidelines</i>	<i>page 9</i>
III.	<i>Major Motor Types</i>	<i>page 12</i>
	AC Single Phase	
	AC Polyphase	
	Direct Current (DC)	
	Brushless DC	
	Gearmotors	
	Brakemotors	
IV.	<i>Mechanical Considerations</i>	<i>page 18</i>
	Enclosures and Environment	
	NEMA Frame/Shaft Sizes	
	NEMA Frame Suffixes	
	Frame Prefixes	
	Mounting	
V.	<i>Electrical Characteristics</i>	
	<i>and Connections.....</i>	<i>page 26</i>
	Voltage	
	Phase	
	Current	
	Frequency	
	Horsepower	
	Speeds	
	Insulation Class	
	Service Factor	
	Capacitors	
	Efficiency	
	Thermal Protection (Overload)	
	Individual Branch Circuit Wiring	
	Motor Starters	
	Adjustable Speed Electric Drives	
	Reading a LEESON Model Number	
	Major Motor Components	

VI. Metric (IEC) Designations page 38

VII. Maintenance page 43
Lubrication Procedure
Relubrication Interval Chart

VIII. Engineering Data page 45
Temperature Conversion Table
Mechanical Characteristics Table
Electrical Characteristics Table

**IX. Common Motor Types and
Typical Applications page 48**

X. Glossary page 54

CHAPTER I

Electric Motor History and Principles

The electric motor in its simplest terms is a converter of electrical energy to useful mechanical energy. The electric motor has played a leading role in the high productivity of modern industry, and it is therefore directly responsible for the high standard of living being enjoyed throughout the industrialized world.

The beginnings of the electric motor are shrouded in mystery, but this much seems clear: The basic principles of electromagnetic induction were discovered in the early 1800s by Oersted, Gauss and Faraday, and this combination of Scandinavian, German and English thought gave us the fundamentals for the electric motor. In the late 1800s the actual invention of the alternating current motor was made by Nikola Tesla, a Serb who had migrated to the United States. One measure of Tesla's genius is that he was granted more than 900 patents in the electrical field. Before Tesla's time, direct current motors had been produced in small quantities, but it was his development of the versatile and rugged alternating current motor that opened a new age of automation and industrial productivity.

An electric motor's principle of operation is based on the fact that a current-carrying conductor, when placed in a magnetic field, will have a force exerted on the conductor proportional to the current flowing in the conductor and to the strength of the magnetic field. In alternating current motors, the windings placed in the laminated stator core produce the magnetic field. The aluminum bars in the laminated rotor core are the current-carrying conductors upon which the force acts. The resultant action is the rotary motion of the rotor and shaft, which can then be coupled to various devices to be driven and produce the output.

Many types of motors are produced today. Undoubtedly, the most common are alternating current induction motors. The term "induction" derives from the transference of power from the stator to the rotor through electromagnetic induction. No slip rings or brushes are required since the load currents in the rotor conductors are induced by transformer action. The induction motor is, in effect, a transformer -- with the stator winding being the primary winding and the rotor bars and end rings being the movable secondary members.

Both single-phase and polyphase AC motors are produced by LEESON and many other manufacturers. In polyphase motors, the placement of the phase winding groups in conjunction with the phase sequence of the power supply line produces a rotating field around the rotor surface. The rotor tends to follow this rotating field with a rotational speed that varies inversely with the number of poles wound into the stator. Single-phase motors do not produce a rotating field at a standstill, so a starter winding is added to give the effect of a polyphase rotating field. Once the motor is running, the start winding can be cut out of the circuit, and the motor will continue to run on a rotating field that now exists due to the motion of the rotor interacting with the single-phase stator magnetic field.

In recent years, the development of power semiconductors and microprocessors has brought efficient adjustable speed control to AC motors through the use of inverter drives. Through this technology, the most recent designs of so-called pulse width modulated AC drives are capable of speed and torque regulation that equals or closely approximates direct current systems.

LEESON Electric also produces permanent-magnet direct current motors. The DC motor is the oldest member of the electric motor family. Recent technological breakthroughs in magnetic materials, as well as solid state electronic controls and high-power-density rechargeable batteries, have all revitalized the versatile DC motor.

DC motors have extremely high torque capabilities and can be used in conjunction with relatively simple solid state control devices to give programmed acceleration and deceleration over a wide range of selected speeds. Because the speed of a DC motor is not dependent on the number of poles, there is great versatility for any constant or variable speed requirement.

In most common DC motors, the magnetic field is produced by high-strength permanent magnets, which have replaced traditional field coil windings. The magnets require no current from the power supply. This improves motor efficiency and reduces internal heating. In addition, the reduced current draw enhances the life of batteries used as power supplies in mobile or remote applications.

Both AC and DC motors must be manufactured with a great deal of precision in order to operate properly. LEESON and other major manufacturers use laminated stator, rotor and armature cores to reduce energy losses and heat in the motor. Rotors for AC motors are heat

treated to separate the aluminum bars from the rotor's magnetic laminations. Shaft and bearing mounting tolerances must be held to ten thousandths of an inch. The whole structure of the motor must be rigid to reduce vibration and noise. The stator insulation and coil winding must be done in a precise manner to avoid damaging the wire insulation or ground insulation.

The electric motor is, of course, the very heart of any machine it drives. If the motor does not run, the machine or device will not function. The importance and scope of the electric motor in modern life is attested to by the fact that electric motors, numbering countless millions in total, convert more energy than do all our passenger automobiles. Electric motors are much more efficient in energy conversion than automobiles, but they are such a large factor in the total energy picture that renewed interest is being shown in motor performance. Today's industrial motors have energy conversion efficiency exceeding 95% in larger horsepower.

This efficiency, combined with unsurpassed durability and reliability, will continue to make electric motors the "prime movers" of choice for decades to come.



The Doerr family, whose members founded and continue to own and operate LEESON Electric, has a three-generation history in electric motor manufacturing. Shown at left is a motor from the early 1900s, made by St. Louis Electrical Works, later Baldor Electric. At right is a motor from the late 1930s, made by Electro Machines, later Doerr Electric and now part of Emerson Electric.

CHAPTER II

General Motor Replacement Guidelines

Electric motors are the versatile workhorses of industry. In many applications, motors from a number of manufacturers can be used with confidence.

Major motor manufacturers today make every effort to maximize interchangeability, mechanically and electrically, so that compromise does not interfere with reliability and safety standards. However, no manufacturer can be responsible for misapplication. If you are not certain of a replacement condition, contact a qualified motor distributor, sales office or service center.

Safety Precautions

Use safe practices when handling, lifting, installing, operating, and maintaining motors and related equipment.

Install motors and related equipment in accordance with the National Electrical Code (NEC) local electrical safety codes and practices and, when applicable, the Occupational Safety and Health Act (OSHA).

Ground motors securely. Make sure that grounding wires and devices are, in fact, properly grounded.

***Failure to ground a motor properly
may cause serious injury.***

Before servicing or working near motor-driven equipment, disconnect the power source from the motor and accessories.

Selection

Identifying a motor for replacement purposes or specifying a motor for new applications can be done easily if the correct information is known. This includes:

- Nameplate Data
- Mechanical Characteristics
- Motor Types
- Electrical Characteristics and Connections

Much of this information consists of standards defined by the National Electrical Manufacturers Association (NEMA). These standards are widely used throughout North America. In other parts of the world, the standards of the International Electrotechnical Commission (IEC) are most often used.

Nameplate

Nameplate data is the critical first step in determining motor replacement. Much of the information needed can generally be obtained from the nameplate. Record all nameplate information; it can save time and confusion.

CAT. NO./PART NO.		LEESON		TEFC	
120086.00		MODEL	C145T34FB2C	V.	208-230
R.P.M.		H.P.	1 1/2	F.L.A.	4.2/4.8
3450/2850		F.I.A.	2.1/2.4	S.F.A.	
HZ.		FR.	F145T	S.F.A.	
60/50		P.F.	86	EFF.	80
TYPE		TF	SER. FACT.	1.15	
DUTY		CONT.	MAX. AMB.	40	
PH.		3	THERMALLY PROTECTED	NOT	
004001		D94	CODE	K	DESIGN
				B	
MADE IN U.S.A.					

VOLTAGE, PHASE AND FREQUENCY OF LINE MUST AGREE WITH VALUES GIVEN ON THIS PLATE. CONNECT PER WIRING DIAGRAM SUPPLIED WITH MOTOR.

LEESON ELECTRIC CORPORATION
GRAFTON, WISCONSIN 53024

Important Nameplate Data

Catalog number.

Motor model number.

Frame.

Type (classification varies from manufacturer to manufacturer).

Phase - single, three or direct current.

HP - horsepower at rated full load speed.

HZ - frequency in cycles per second. Usually 60 hz in United States, 50 hz overseas.

RPM - revolutions per minute of shaft at full load.

Voltage.

Amperage (F.L.A.) - full load motor current.

Maximum ambient temperature in centigrade - usually +40°C (104°F).

Duty - most motors are rated continuous. Some applications, however, may use motors designed for intermittent, special, 15, 30 or 60 minute duty.

NEMA electrical design - B, C and D are most common. Design letter represents the torque characteristics of the motor.

Insulation class - standard insulation classes are B, F, and H.

NEMA has established safe maximum operating temperatures for motors. This maximum temperature is the sum of the maximum ambient and maximum rise at maximum ambient.

Code - indicates locked rotor kVA per horsepower.

Service factor - a measure of continuous overload capacity.

CHAPTER III

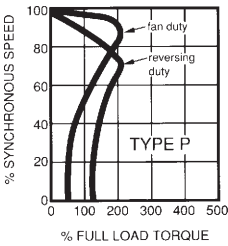
Major Motor Types

Alternating current (AC) induction motors are divided into two electrical categories based on their power source -- single phase and polyphase (three phase).

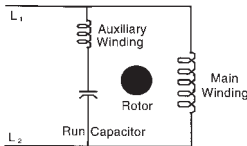
AC Single Phase Types

Types of single-phase motors are distinguished mostly by the way they are started and the torques they develop.

Shaded Pole motors have low starting torque, low cost, low efficiency, and no capacitors. There is no start switch. These motors are used on small direct drive fans and blowers found in homes. Shaded pole motors should not be used to replace other types of single-phase motors.



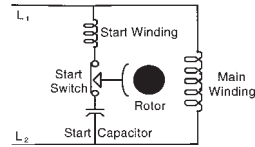
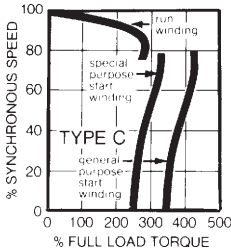
PSC (Permanent Split Capacitor) motors have applications similar to shaded pole, except much higher efficiency, lower current (50% - 60% less), and higher horsepower capability. PSC motors have a run capacitor in the circuit at all times. They can be used to replace shaded pole motors for more efficient operation and can be used for fan-on-shaft fan applications, but not for belted fans due to the low starting torque.



PSC circuit diagram

Split Phase motors have moderate to low starting torque (100% - 125% of full load), high starting current, no capacitor, and a starting switch to drop out the start winding when the motor reaches approximately 75% of its operating speed. They are used on easy-to-start belt drive fans and blowers, as well as light-start pump applications.

Capacitor Start motors are designed in both moderate and high starting torque types with both having moderate starting current, high breakdown torques.



Capacitor start circuit diagram

Moderate-torque motors are used on applications in which starting requires torques of 175% or less or on light loads such as fans, blowers, and light-start pumps. High-torque motors have starting torques in excess of 300% of full load and are used on compressors, industrial, commercial and farm equipment. Capacitor start motors use a start capacitor and a start switch, which takes the capacitor and start winding out of the circuit when motor reaches approximately 75% of its operating speed.

Capacitor Start - Capacitor Run motors have applications and performance similar to capacitor start except for the addition of a run capacitor (which stays in circuit) for higher efficiency and reduced running amperage. Generally, capacitor start motors are used on light industrial and agricultural applications whereas capacitor start - capacitor run motors are used for 3 HP and larger single-phase applications.

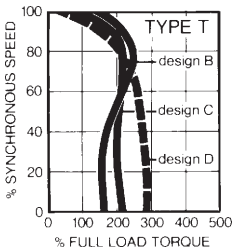


On industrial duty motors, capacitors are usually protected by metal cases attached to the motor frame. This capacitor start, capacitor run motor has two cases.



A heavy-duty polyphase motor with cast-iron frame.

AC Polyphase



Polyphase (three-phase) induction motors have a high starting torque, power factor, high efficiency, and low current. They do not use a switch, capacitor, relays, etc., and are suitable for use on larger commercial and industrial applications.

Polyphase induction motors are specified by their electrical design type: B, C, or D, as defined by the National Electrical Manufacturers Association (NEMA). These designs are suited to particular classes of applications based upon the load requirements typical of each class.

The table on the next page can be used to help guide which design type to select based on application requirements.

Because of their widespread use throughout industry and because their characteristics lend themselves to high efficiencies, many types of general-purpose three-phase motors manufactured after October 24, 1997, will be required to meet mandated efficiency levels under the U.S. Energy Policy Act. Included in the mandates are NEMA Design B, T frame, foot-mounted motors from 1-200 HP.

The following table can be used to help guide which design type should be selected:

NEMA Electrical Design Standards

Classification	Starting Torque (% Rated Load Torque)	Breakdown Torque (% Rated Load Torque)	Starting Current	Slip	Typical Application
<u>Design B</u> normal starting torque & normal starting current	100-200%	200-250%	Normal	< 5%	Fans, blowers and centrifugal pumps, where starting torque requirements are relatively low.
<u>Design C</u> high starting torque & normal starting current	200-250%	200-250%	Normal	< 5%	Conveyors, stirring machines, crushers, agitators, reciprocating pumps & compressors, etc., where starting under load is required.
<u>Design D</u> high starting torque & high slip	275%	275%	Low	> 5%	High peak loads, loads with flywheels such as punch press, shears, elevators, extractors, winches, hoists, oil well pumping & wire drawing machines.

LEESON and most other electric motor manufacturers substantially exceed these NEMA minimum torque standards.

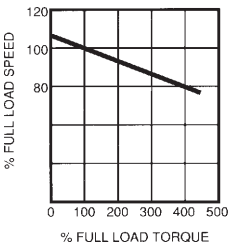
Direct Current (DC)



Another commonly used motor in industrial applications is the direct current motor. It is often used in applications where adjustable speed control is required.

DC motors can be operated from rectified alternating current or from low-voltage battery or generator sources. This is a low-voltage design, which includes external connection lugs for the input power. With the rear endshield removed, as in this view, the brush assemblies and commutator that form a DC motor's electrical heart are clearly visible.

Permanent magnet DC designs are generally used for motors that produce less than 5 HP. Larger horsepower applications use shunt-wound direct current motors.



Both designs have linear speed/torque characteristics over the entire speed range. SCR rated motors -- those designed for use with common solid-state speed controls -- feature high starting torque for heavy load applications and reversing capabilities, and complementary active material to compensate for the additional heating caused by the rectified AC input. Designs are

also available for use on generated low-voltage DC power or remote applications requiring battery power.

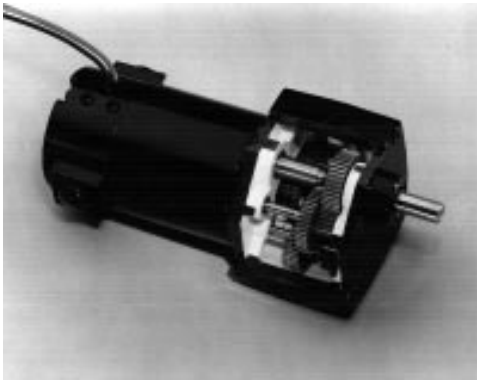
Brushless DC

Typically used where extremely precise speed and torque regulation is required, or where periodic brush replacement is difficult, brushless DC motors for industrial applications must be matched with an appropriate solid-state control. The reason is that their commutation process is entirely electronic, rather than through a rotating mechanical commutator and carbon brushes as on a more common direct current motor. Because of digital feedback links between the motor and control, brushless DC drive systems provide the highest level of control and efficiency available today, though generally at a correspondingly higher cost.

Gearmotors

A gearmotor is made up of an electric motor, either DC or AC, combined with a geared speed reducer. Spur, helical or worm gears may be used in single or multiple stages. The configuration may be either that of a parallel shaft, emerging from the front of the motor, or a right-angle shaft. Gearmotors are often rated in input horsepower; however, output torque, commonly measured in inch-pounds, and output speed are the critical values.

Gearmotors are convenient and efficient because the driving shaft is factory aligned and coupled directly to the shaft being driven, often eliminating belts, chains or other speed reducers.



Speed-reduction gearing is shown in this cutaway view of an in-line, or parallel-shaft, gearmotor

Brakemotors

A brakemotor is a pre-connected package of industrial-duty motor and fail-safe, stop-and-hold spring-set brake. In case of power failure, the brake sets, holding the load in position. Brakemotors are commonly used on hoists or other lifting devices.

*A three-phase brakemotor.
Note the brake at left.
Like many brakemotors,
this model has a NEMA C face
for direct mounting to the
equipment to be driven.*



CHAPTER IV

Mechanical Considerations

Enclosures and Environment



Open Drip Proof (ODP) motors have venting in the end frame and/or main frame, situated to prevent drops of liquid from falling into the motor within a 15° angle from vertical. These motors are designed for use in areas that are reasonably dry, clean, well-ventilated, and usually indoors. If installed outdoors, ODP

motors should be protected with a cover that does not restrict air flow.

Totally Enclosed Non-Ventilated (TENV) motors have no vent openings. They are tightly enclosed to prevent the free exchange of air, but are not air tight. TENV motors have no cooling fan and rely on convection for cooling. They are suitable for use where exposed to dirt or dampness, but not for hazardous locations or applications having frequent hosedowns.



Totally Enclosed Fan Cooled (TEFC) motors are the same as TENV except they have an external fan as an integral part of the motor to provide cooling by blowing air over the outside frame.

Totally Enclosed Air Over motors are specifically designed to be used within the airflow of the fan or blower they are driving. Because this provides an important part of the motor's cooling, TEAO motors should not be used in other applications.

Totally Enclosed Hostile and Severe Environment motors are designed for use in extremely moist or chemical environments, but not for hazardous locations.



Explosion Proof motors meet Underwriters Laboratories or CSA standards for use in the hazardous (explosive) locations shown by the UL/CSA label on the motor. The motor user must specify the explosion proof motor required. Locations are considered hazardous because the atmosphere contains or may contain

gas, vapor, or dust in explosive quantities. The National Electrical Code (NEC) divides these locations into classes and groups according to the type of explosive agent. The following list has some of the agents in each classification. For a complete list, see Article 500 of the National Electrical Code.

Class I (Gases, Vapors)

Group A	Acetylene
Group B	Butadiene, ethylene oxide, hydrogen, propylene oxide
Group C	Acetaldehyde, cyclopropane, diethlether, ethylene, isoprene
Group D	Acetone, acrylonitrile, ammonia, benzene, butane, ethylene dichloride, gasoline, hexane, methane, methanol, naphtha, propane, propylene, styrene, toluene, vinyl acetate, vinyl chloride, xylene

Class II (Combustible Dusts)

Group E	Aluminum, magnesium and other metal dusts with similar characteristics
Group F	Carbon black, coke or coal dust
Group G	Flour, starch or grain dust

The motor ambient temperature is not to exceed +40°C or -25°C unless the motor nameplate specifically permits another value, and is noted on the nameplate and in the literature. LEESON explosion proof motors are approved for all classes noted except Class I, Groups A & B .

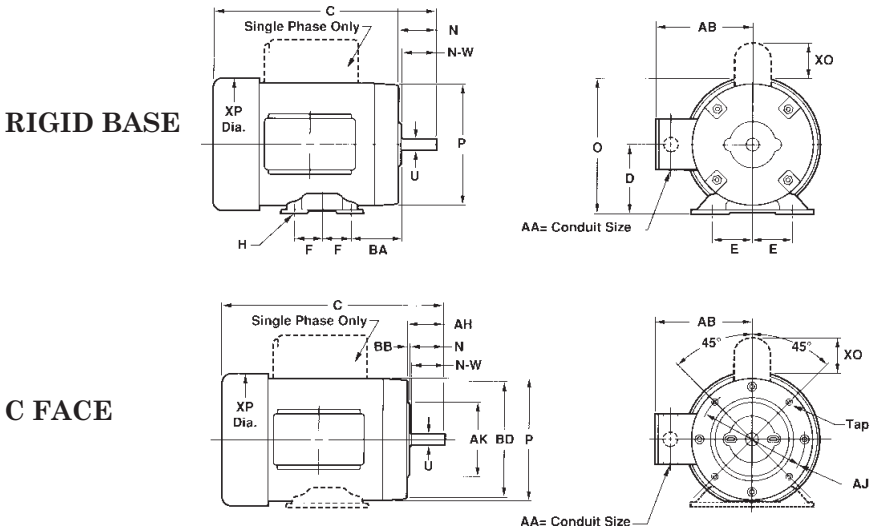
NEMA Frame/Shaft Sizes

Frame numbers are not intended to indicate electrical characteristics such as horsepower. However, as a frame number becomes higher so in general does the physical size of the motor and the horsepower. There are many motors of the same horsepower built in different frames. NEMA (National Electrical Manufacturers Association) frame size refers to mounting only and has no direct bearing on the motor body diameter.

In any standard frame number designation there are either two or three numbers. Typical examples are frame numbers 48, 56, 145, and 215. The frame number relates to the "D" dimension (distance from center of shaft to center bottom of mount). For example, in the *two-digit* 56 frame, the "D" dimension is 3.5", 56 divided by 16 = 3.5". For the "D" dimension of a *three-digit* frame number, consider only the first two digits and use the divisor 4. In frame number 145, for example, the first two digits divided by the constant 4 is equal to the "D" dimension. 14 divided by 4 = 3.5". Similarly, the "D" dimension of a 213 frame motor is 5¹/₄", 21 divided by 4 = 5¹/₄".

By NEMA definition, two-digit frame numbers are fractional frames even though 1 HP or larger motors may be built in them. Three-digit frame numbers are by definition integral frames. The third numeral indicates the distance between the mounting holes parallel to the base. It has no significance in a footless motor.

A summary of NEMA standard dimensions follows:



NEMA Frame Dimensions
(inches)

NEMA Frame Size▲	D	E	F	H	N	O	P	U	N-W	AA	AB	AH	AJ	AK	BA	BB	BD	XO	XP	TAP **	KEY
42	2 ⁵ / ₈	1 ³ / ₄	2 ⁷ / ₃₂	9 ³ / ₃₂ Slot	1 ¹ / ₄	5 ¹ / ₁₆	4 ⁷ / ₈	3 ³ / ₈	1 ¹ / ₈	3 ³ / ₈	4 ¹ / ₂	1 ⁵ / ₁₆	3 ³ / ₄	3	2 ¹ / ₁₆	1 ¹ / ₈	4 ⁷ / ₈	1 ⁵ / ₈	5 ¹ / ₈	1/4-20	3/64 Flat
48	3	2 ¹ / ₈	1 ³ / ₈	1 ¹ / ₃₂ Slot	1 ¹ / ₄	5 ¹ / ₁₆	5 ¹ / ₃₂	1/2	1 ¹ / ₂	1/2	4 ⁷ / ₈	1 ¹¹ / ₁₆	3 ³ / ₄	3	2 ¹ / ₂	1 ¹ / ₈	5	2 ¹ / ₄	5 ⁷ / ₈	1/4-20	3/64 Flat
S56 56	3 ¹ / ₂	2 ⁷ / ₁₆	1 ¹ / ₂	1 ¹ / ₃₂ Slot	1 ¹¹ / ₁₆	6 ¹ / ₁₆ 6 ¹ / ₁₆	5 ¹ / ₃₂ 6 ¹ / ₃₂	5 ⁵ / ₈	1 ⁷ / ₈	1/2	4 ⁷ / ₈ 5 ⁵ / ₁₆	2 ¹ / ₁₆	5 ⁷ / ₈	4 ¹ / ₂	2 ³ / ₄	1 ¹ / ₈	6 ¹ / ₂	2 ¹ / ₄	5 ⁷ / ₈ 7 ⁵ / ₃₂	3/8-16	3/16
143T 145T	3 ¹ / ₂	2 ³ / ₄	2 2 ¹ / ₂	1 ¹ / ₃₂	2 ³ / ₈	6 ¹ / ₁₆	6 ¹ / ₃₂	7 ⁷ / ₈	2 ¹ / ₄	3/4	5 ⁵ / ₁₆	2 ¹ / ₈	5 ⁷ / ₈	4 ¹ / ₂	*2 ¹ / ₄	1 ¹ / ₈	6 ¹ / ₂	2 ¹ / ₄	7 ⁵ / ₃₂	3/8-16	3/16
182T 184T	4 ¹ / ₂	3 ³ / ₄	2 ¹ / ₄ 2 ³ / ₄	1 ³ / ₃₂	2 ⁷ / ₈	8 ³ / ₄	8 ¹⁵ / ₃₂	1 ¹ / ₈	2 ³ / ₄	3/4	6 ³ / ₈	2 ⁵ / ₈	7 ¹ / ₄	8 ¹ / ₂	*2 ³ / ₄	1/4	8 ⁷ / ₈	2 ¹ / ₄	9 ³ / ₃₂	1/2-13	1/4
S213T 213T 215T	5 ¹ / ₄	4 ¹ / ₄	2 ³ / ₄ 2 ³ / ₄ 3 ¹ / ₂	1 ³ / ₃₂	3 ¹ / ₂ —	9 ¹ / ₁₆ 10 ¹ / ₁₆	8 ¹⁵ / ₃₂ 10 ¹ / ₃₁₆	1 ³ / ₈	3 ³ / ₈	3/4 1	6 ³ / ₈ 8 ⁵ / ₁₆	3 ¹ / ₈	7 ¹ / ₄	8 ¹ / ₂	*3 ¹ / ₂	1/4	8 ⁷ / ₈ 9	2 ¹ / ₄	9 ³ / ₃₂ 11 ³ / ₃₂	1/2-13	5/16
254T 256T	6 ¹ / ₄	5	4 ¹ / ₈ 5	1 ⁷ / ₃₂	—	12 ¹⁵ / ₁₆	13 ¹ / ₄	1 ⁵ / ₈	4	1 ¹ / ₄	11 ⁵ / ₈	3 ³ / ₄	7 ¹ / ₄	8 ¹ / ₂	*4 ¹ / ₄	1/4	9 ⁵ / ₈	—	12 ⁷ / ₈	1/2-13	3/8
284TS 284T 286TS 286T	7	5 ¹ / ₂	4 ³ / ₄ 5 ¹ / ₂	1 ⁷ / ₃₂	—	14 ¹ / ₂	14 ³ / ₄	1 ⁵ / ₈ 1 ⁷ / ₈ 1 ⁵ / ₈ 1 ⁷ / ₈	3 ¹ / ₄ 4 ⁵ / ₈ 3 ³ / ₄ 4 ⁵ / ₈	1 ¹ / ₂	11 ³ / ₄	3 4 ³ / ₈ 3 4 ³ / ₈	9	10 ¹ / ₂	4 ³ / ₄	1/4	11	—	14 ¹ / ₂	1/2-13	3/8 1/2 3/8 1/2
324TS 324T 326TS 326T	8	6 ¹ / ₄	5 ¹ / ₄ 6	2 ¹ / ₃₂	—	15 ³ / ₄	15 ³ / ₄	1 ⁷ / ₈ 2 ¹ / ₈ 1 ⁷ / ₈ 2 ¹ / ₈	3 ³ / ₄ 5 ¹ / ₄ 3 ³ / ₄ 5 ¹ / ₄	2	13 ¹ / ₂	3 ¹ / ₂ 5 3 ¹ / ₂ 5	11	12 ¹ / ₂	5 ¹ / ₄	1/4	13 ³ / ₈	—	15 ³ / ₄	5/8-11	1/2
364TS 364T 365TS 365T	9	7	5 ⁵ / ₈ 6 ¹ / ₈	2 ¹ / ₃₂	—	17 ¹ / ₁₆	17 ³ / ₈	1 ⁷ / ₈ 2 ³ / ₈ 1 ⁷ / ₈ 2 ³ / ₈	3 ³ / ₄ 5 ⁷ / ₈ 3 ³ / ₄ 5 ⁷ / ₈	3	15 ⁷ / ₁₆	3 ¹ / ₂ 5 ⁵ / ₈ 3 ¹ / ₂ 5 ⁵ / ₈	11	12 ¹ / ₂	5 ⁷ / ₈	1/4	14	—	17 ³ / ₄	5/8-11	1/2 5/8 1/2 3/8
404TS 404T 405TS 405T	10	8	6 ¹ / ₈ 6 ⁷ / ₈	1 ³ / ₁₆	—	19 ⁵ / ₁₆	19 ¹ / ₈	2 ¹ / ₈ 2 ⁷ / ₈ 2 ¹ / ₈ 2 ⁷ / ₈	4 ¹ / ₄ 7 ¹ / ₄ 4 ¹ / ₄ 7 ¹ / ₄	3	16 ⁵ / ₁₆	4 7 4 7	11	12 ¹ / ₂	6 ⁵ / ₈	1/4	15 ¹ / ₂	—	19 ³ / ₈	5/8-11	1/2 3/4 1/2 3/4
444TS 444T 445T 447TZ	11	9	7 ¹ / ₄ 7 ¹ / ₄ 8 ¹ / ₄ 10	1 ³ / ₁₆	—	22 ¹ / ₄	22	2 ³ / ₈ 3 ³ / ₈	4 ³ / ₄ 8 ¹ / ₂ 8 ¹ / ₂ 10 ¹ / ₈	3	21 ¹ / ₁₆	8 ¹ / ₄	14	16	7 ¹ / ₂	1/4	18	—	19 ³ / ₈	5/8-11	5/8 7/8 7/8 7/8
5007C 5009C	12 ¹ / ₂	10	11 14	1 ⁵ / ₁₆ 1 ⁵ / ₁₆	—	30 ³ / ₈ 30 ³ / ₈	30 ¹ / ₈ 30 ¹ / ₈	3 ⁷ / ₈ 3 ⁷ / ₈	11 ⁵ / ₈ 11 ⁵ / ₈	4 4	25 ¹ / ₃₂ 25 ¹ / ₃₂	11 ⁷ / ₈ 11 ⁷ / ₈	—	—	8 ¹ / ₂ 8 ¹ / ₂	1/4 1/4	—	—	30 ³ / ₈ 30 ³ / ₈	—	1 1

NEMA Frame Suffixes

C	=	NEMA C face mounting (specify with or without rigid base)
D	=	NEMA D flange mounting (specify with or without rigid base)
H	=	Indicates a frame with a rigid base having an F dimension larger than that of the same frame without the suffix H. For example, combination 56H base motors have mounting holes for NEMA 56 and NEMA 143-5T and a standard NEMA 56 shaft
J	=	NEMA C face, threaded shaft pump motor
JM	=	Close-coupled pump motor with specific dimensions and bearings
JP	=	Close-coupled pump motor with specific dimensions and bearings
M	=	6 ³ / ₄ " flange (oil burner)
N	=	7 ¹ / ₄ " flange (oil burner)
T, TS	=	Integral horsepower NEMA standard shaft dimensions if no additional letters follow the "T" or "TS".
TS	=	Motor with NEMA standard "short shaft" for belt-driven loads.
Y	=	Non-NEMA standard mount; a drawing is required to be sure of dimensions. Can indicate a special base, face or flange.
Z	=	Non-NEMA standard shaft; a drawing is required to be sure of dimensions.

Frame Prefixes

Letters or numbers appearing in front of the NEMA frame number are those of the manufacturer. They have no NEMA frame significance. The significance from one manufacturer to another will vary. For example, the letter in front of LEESON's frame number, L56, indicates the overall length of the motor.

Mounting

Unless specified otherwise, motors can be mounted in any position or any angle. However, unless a drip cover is used for shaft-up or shaft-down applications, drip proof motors must be mounted in the horizontal or sidewall position to meet the enclosure definition. Mount motor securely to the mounting base of equipment or to a rigid, flat surface, preferably metallic.

Types of Mounts



Rigid base is bolted, welded, or cast on main frame and allows motor to be rigidly mounted on equipment.



Resilient base has isolation or resilient rings between motor mounting hubs and base to absorb vibrations and noise. A conductor is imbedded in the ring to complete the circuit for grounding purposes.



NEMA C face mount is a machined face with a pilot on the shaft end which allows direct mounting with the pump or other direct coupled equipment. Bolts pass through mounted part to threaded hole in the motor face.



NEMA D flange mount is a machined flange with rabbet for mountings. Bolts pass through motor flange to a threaded hole in the mounted part. NEMA C face motors are by far the most popular and most readily available. NEMA D flange kits are stocked by some manufacturers, including LEESON.



Type M or N mount has special flange for direct attachment to fuel atomizing pump on an oil burner. In recent years, this type of mounting has become widely used on auger drives in poultry feeders.



Extended through-bolt motors have bolts protruding from the front or rear of the motor by which it is mounted. This is usually used on small direct drive fans or blowers.

Application Mounting

For direct-coupled applications, align shaft and coupling carefully, using shims as required under motor base. Use a flexible coupling, if possible, but not as a substitute for good alignment practices.

Pulleys, sheaves, sprockets and gears should be generally mounted as close as possible to the bearing on the motor shaft, thereby lessening the bearing load.

The center point of the belt, or system of V-belts, should not be beyond the end of the motor shaft.

The inner edge of the sheave or pulley rim should not be closer to the bearing than the shoulder on the shaft, but should be as close to this point as possible.

The outer edge of a chain sprocket or gear should not extend beyond the end of the motor shaft.¹

To obtain the minimum pitch diameters for flat-belt, timing-belt, chain, and gear drives, the multiplier given in the following table should be applied to the narrow V-belt sheave pitch diameters in NEMA MG 1-14.4441 for alternating current, general-purpose motors, or to the V-belt sheave pitch diameters as determined from NEMA MG 1-14.67 for industrial direct current motors.²

Drive	Multiplier
Flat belt*	1.33
Timing belt+	0.9
Chain sprocket	0.7
Spur gear	0.75
Helical gear	0.85

* This multiplier is intended for use with conventional single-ply flat belts. When other than single-ply flat belts are used, the use of a larger multiplier is recommended.

+ It is often necessary to install timing belts with a snug fit. However, tension should be no more than that necessary to avoid belt slap or tooth jumping.

¹ Reference NEMA, MG 1-14.07.1.

² Reference NEMA, MG 1-14.07.2.

Belt Tensioning

Manufacturers of belts can provide recommended tensioning values and instruments for precisely determining belt tension. Particularly in very high-speed, very high-torque or very high-horsepower applications, critical belt tensioning can be important. For most industrial applications, however, these general belt tensioning procedures are usually adequate:

1. The best tension is typically the lowest at which the belt will not slip under peak load.
2. Over-tensioning will shorten belt and bearing life.
3. After installing a new belt, it is important to check the tension often during the first 24 to 48 operating hours, and to re-tension as necessary.
4. Periodically inspect and re-tension the belt over the course of operation.

As a general rule, the correct belt tension can be gauged by deflecting the belt at mid-span with your thumb while the motor is stopped. You should be able to deflect approximately 1/2 inch with light to moderate pressure on single-ribbed belts. Multiple ribs will require additional pressure.

Two methods of checking belt tension while the motor is operating include visually assessing whether there is any belt flutter, or listening for belt squeal. Either can occur as a result of inadequate belt tension.

CHAPTER V

Electrical Characteristics and Connections

Voltage, frequency and phase of power supply should be consistent with the motor nameplate rating. A motor will operate satisfactorily on voltage within 10% of nameplate value, or frequency within 5%, or combined voltage and frequency variation not to exceed 10%.

Voltage

Common 60 hz voltages for single-phase motors are 115 volt, 230 volt, and 115/230 volt.

Common 60 hz voltage for three-phase motors are 230 volt, 460 volt and 230/460 volt. Two hundred volt and 575 volt motors are sometimes encountered. In prior NEMA standards these voltages were listed as 208 or 220/440 or 550 volts. Motors with these voltages on the nameplate can safely be replaced by motors having the current standard markings of 200 or 208, 230/460 or 575 volts, respectfully.

Motors rated 115/208-230 volt and 208-230/460 volt, in most cases, will operate satisfactorily at 208 volts, but the torque will be 20% - 25% lower. Operating below 208 volts may require a 208 volt (or 200 volt) motor or the use of the next higher horsepower, standard voltage motor.

Phase

Single-phase motors account for up to 80% of the motors used in the United States but are used mostly in homes and in auxiliary low-horsepower industrial applications such as fans and on farms.

Three-phase motors are used on larger commercial and industrial equipment.

Current (Amps)

In comparing motor types, the full load amps and/or service factor amps are key parameters for determining the proper loading on the motor. For example, never replace a PSC type motor with a shaded pole type as the latter's amps will normally be 50% - 60% higher. Compare PSC with PSC, capacitor start with capacitor start, and so forth.

Hertz / Frequency

In North America 60 hz (cycles) is the common power source. However, most of the rest of the world is supplied with 50 hz power.

Horsepower

Exactly 746 watts of electrical power will produce 1 HP if a motor could operate at 100% efficiency, but of course no motor is 100% efficient. A 1 HP motor operating at 84% efficiency will have a total watt consumption of 888 watts. This amounts to 746 watts of usable power and 142 watts loss due to heat, friction, etc. ($888 \times .84 = 746 = 1 \text{ HP}$).

Horsepower can also be calculated if torque is known, using one of these formulas:

$$\text{HP} = \frac{\text{Torque (lb/ft)} \times \text{RPM}}{5,250}$$

$$\text{HP} = \frac{\text{Torque (oz/ft)} \times \text{RPM}}{84,000}$$

$$\text{HP} = \frac{\text{Torque (in/lbs)} \times \text{RPM}}{63,000}$$

Speeds

The approximate RPM at rated load for small and medium motors operating at 60 hz and 50 hz at rated volts are as follows:

	<u>60 hz</u>	<u>50 hz</u>	<u>Synch. Speed</u>
2 Pole	3450	2850	3600
4 Pole	1725	1425	1800
6 Pole	1140	950	1200
8 Pole	850	700	900

Synchronous speed (no-load) can be determined by this formula:

$$\frac{\text{Frequency (Hertz)} \times 120}{\text{Number of Poles}}$$

Insulation Class

Insulation systems are rated by standard NEMA classifications according to maximum allowable operating temperatures. They are as follows:

Class	Maximum Allowed Temperature*	
A	105°C	(221°F)
B	130°C	(266°F)
F	155°C	(311°F)
H	180°C	(356°F)

* *Motor temperature rise plus maximum ambient*

Generally, replace a motor with one having an equal or higher insulation class. Replacement with one of lower temperature rating could result in premature failure of the motor. Each 10°C rise above these ratings can reduce the motor's service life by one half.

Service Factor

The service factor (SF) is a measure of continuous overload capacity at which a motor can operate without overload or damage, provided the other design parameters such as rated voltage, frequency and ambient temperature are within norms. Example: a $\frac{3}{4}$ HP motor with a 1.15 SF can operate at .86 HP, ($.75 \text{ HP} \times 1.15 = .862 \text{ HP}$) without overheating or otherwise damaging the motor if rated voltage and frequency are supplied at the motor's leads. Some motors, including most LEESON motors, have higher service factors than the NEMA standard.

It is not uncommon for the original equipment manufacturer (OEM) to load the motor to its maximum load capability (service factor). For this reason, do not replace a motor with one of the same nameplate horsepower but with a lower service factor. Always make certain that the replacement motor has a maximum HP rating (rated HP x SF) equal to or higher than that which it replaces. Multiply the horsepower by the service factor for determining maximum potential loading.

For easy reference, standard NEMA service factors for various horsepower motors and motor speeds are shown in this table.

HP	FOR DRIP PROOF MOTORS			
	Service Factor Synchronous Speed (RPM)			
	3600	1800	1200	900
1/6, 1/4, 1/3	1.35	1.35	1.35	1.35
1/2	1.25	1.25	1.25	1.25
3/4	1.25	1.25	1.15	1.15
1	1.25	1.15	1.15	1.15
1 1/2 up	1.15	1.15	1.15	1.15

The NEMA service factor for totally enclosed motors is 1.0. However, many manufacturers build TEFC with a 1.15 service factor.

Capacitors

Capacitors are used on all fractional HP induction motors except shaded-pole, split-phase and polyphase. Start capacitors are designed to stay in circuit a very short time (3-5 seconds), while run capacitors are permanently in circuit. Capacitors are rated by capacity and voltage. Never use a capacitor with a voltage less than that recommended with the replacement motor. A higher voltage is acceptable.

Efficiency

A motor's efficiency is a measurement of useful work produced by the motor versus the energy it consumes (heat and friction). An 84% efficient motor with a total watt draw of 400W produces 336 watts of useful energy (400 x .84 = 336W). The 64 watts lost (400 - 336 = 64W) becomes heat.

Thermal Protection (Overload)

A thermal protector, automatic or manual, mounted in the end frame or on a winding, is designed to prevent a motor from getting too hot, causing possible fire or damage to the motor. Protectors are generally current- and temperature-sensitive. Some motors have no inherent protector, but they should have protection provided in the overall system's design for safety.

Never bypass a protector because of nuisance tripping. This is generally an indication of some other problem, such as overloading or lack of proper ventilation.

Never replace nor choose an automatic-reset thermal overload protected motor for an application where the driven load could cause personal injury if the motor should restart unexpectedly. Only manual-reset thermal overloads should be used in such applications.

Basic types of overload protectors include:

Automatic Reset: After the motor cools, this line-interrupting protector automatically restores power. It should not be used where unexpected restarting would be hazardous.

Manual Reset: This line-interrupting protector has an external button that must be pushed to restore power to the motor. Use where unexpected restarting would be hazardous, as on saws, conveyors, compressors and other machinery.

Resistance Temperature Detectors: Precision-calibrated resistors are mounted in the motor and are used in conjunction with an instrument supplied by the customer to detect high temperatures.

Individual Branch Circuit Wiring

All wiring and electrical connections should comply with the National Electrical Code (NEC) and with local codes and practices. Undersized wire between the motor and the power source will limit the starting and load carrying abilities of the motor. The recommended copper wire and transformer size are shown in the following charts.

Single Phase Motors - 230 Volts

Transformer		Distance - Motor to Transformer (Feet)				
HP	kVA	100	150	200	300	500
1.5	3	10	8	8	6	4
2	3	10	8	8	6	4
3	5	8	8	6	4	2
5	7.5	6	4	4	2	0
7.5	10	6	4	3	1	0

Three Phase Motors - 230 & 460 Volts

Transformer			Distance - Motor to Transformer (Feet)				
HP	Volts	kVA	100	150	200	300	500
1.5	230	3	12	12	12	12	10
1.5	460	3	12	12	12	12	12
2	230	3	12	12	12	10	8
2	460	3	12	12	12	12	12
3	230	5	12	10	10	8	6
3	460	5	12	12	12	12	10
5	230	7.5	10	8	8	6	4
5	460	7.5	12	12	12	10	8
7.5	230	10	8	6	6	4	2
7.5	460	10	12	12	12	10	8
10	230	15	6	4	4	4	1
10	460	15	12	12	12	10	8
15	230	20	4	4	4	2	0
15	460	20	12	10	10	8	6
20	230	Consult	4	2	2	1	0
20	460	Local	10	8	8	6	4
25	230	Power	2	2	2	0	0
25	460	Company	8	8	6	6	4
30	230		2	1	1	0	0
30	460		8	6	6	4	2
40	230		1	0	0	0	300
40	460		6	6	4	2	0
50	230		1	0	0	0	300
50	460		4	4	2	2	0
30	230		1	0	0	250	500
60	460		4	2	2	0	0
75	230		0	0	0	300	500
75	460		4	2	2	0	0

Motor Starters

As their name implies, motor starters apply electric power to a motor to begin its operation. They also remove power to stop the motor. Beyond merely switching power on and off, starters include overload protection, as required by the National Electrical Code. The code also usually requires a disconnect and short circuit protection on motor branch circuits. Fused disconnects and circuit breakers provide this and are often incorporated into a motor starter enclosure, resulting in a unit referred to as a combination starter.

Full-voltage starters, also called across-the-line starters, apply full line voltage directly to the motor, either through manual or magnetic contacts. Magnetic starters are used on larger horsepower. Reversing starters, which allow the switching of two leads to change motor rotation, are also usually magnetic.

Reduced-voltage starters, also called soft-starts, apply less than full voltage during the starting sequence of a motor. This reduces current and torque surges, easing the strain on power supply systems and driven devices. Resistors, transformers or solid-state devices can achieve this voltage control.

Both the National Electrical Manufacturers Association (NEMA) and the International Electrotechnical Commission (IEC) rate starters to aid in matching them to the motor and application.

Adjustable Speed Electric Drives

Reliable, easy-to-use units are today available for controlling the speed of AC and DC industrial motors. Both types use solid-state devices for power control.

DC drives are the more straightforward, commonly using silicon controlled rectifiers (SCR's) to convert AC line voltage to controlled DC voltage, which is then applied to the armature of a direct current motor. The more voltage applied to the armature, the faster it will turn. DC drives of this type represent an excellent value for motors up to approximately 3 HP, allowing 60:1 speed regulation and full torque even at reduced speeds.

The most common type of AC drive today begins much the same way as a DC drive does — by rectifying "pulsing" AC line voltage to pulse-free DC voltage. However, instead of outputting the DC voltage, the AC drive

must re-introduce pulses into the output in order to meet the needs of an AC motor. This is done using solid-state switches, such as insulated gate bipolar transistors (IGBT's) or gate turn off SCR's (GTO's). The result is a control technique known as pulse width modulation (PWM), perhaps the most highly regarded type of AC drive for most industrial applications. Motor speed varies with the frequency of the pulses introduced into the output voltage.

Pulse width modulated AC drives offer an extremely wide speed range, a host of control functions including programmable acceleration and deceleration ramps and several preset speeds, excellent energy efficiency and, in many cases, speed and torque precision equal to or closely approaching that of a DC system. Perhaps the major reason for their growing popularity, however, is their ability to work with the wide range of AC induction motors available for industry, usually at a price competitive with that of a DC drive package.

One drawback to pulse width modulated drives is their tendency to produce voltage spikes, which in some instances can damage the insulation systems used in electric motors. In the majority of cases these voltage spikes are not severe enough to cause damage. However, in the worst cases, the spikes can literally "poke a hole" into the insulation, particularly that used in the motor's windings. To guard against insulation damage, some manufacturers now offer inverter-duty motor designs having special insulation systems that resist voltage spike damage. For example, LEESON's system is called IRIS™ (Inverter Rated Insulation System).



A full-featured transistor inverter, or AC drive. This compact digital unit offers a wide range of programmable motor control functions.

Two types of simple DC motor drive units. The unit at right offers selectable forward or reverse operation.



Reading a LEESON Model Number

There is no independently established standard for setting up a motor's model number, but the procedure is typically tied to descriptions of various electrical and mechanical features. While other manufacturers use other designations, here is how LEESON model numbers are configured.

EXAMPLE:

Position No. 1 2 3 4 5 6 7 8 9 10
 Sample Model No. A B 4 C 17 D B 1 A (A-Z)

Position 1: U.L. Prefix

- A— Auto protector. U.L. recognized for locked rotor plus run, also recognized construction (U.L. 1004)*.
- M— Manual protector. U.L. recognized for locked rotor plus run, also recognized construction (U.L. 1004)*.
- L— Locked rotor protector (automatic), U.L. recognized for locked rotor only, also recognized construction (U.L. 1004)*.
- C— Component recognition. (U.L. 1004) No protector.
- U— Auto protector. Not U.L. recognized.
- P— Manual protector. Not U.L. recognized.
- T— Thermostat, not U.L. recognized.
- N— No overload protection.

*This applies only to 48, S56, and 56 frame designs through 1 HP, Open & TENV.

Position 2: (Optional)

- This position is not always used.
- M— Sub-Fractional HP Motors.
- Z— BISSC Approved.
- Other— Customer Code

Position 3: Frame

4 - 48 Frame	23 - 23 Frame	40 - 40 Frame
6 - 56 Frame	30 - 30 Frame	43 - 43 Frame
42 - 42 Frame	34 - 34 Frame	44 - 44 Frame
143 - 143T Frame	36 - 36 Frame	53 - 53 Frame
145 - 145T Frame	38 - 38 Frame	65 - 65 Frame
182 - 182T Frame	39 - 39 Frame	
184 - 184T Frame		
213 - 213T Frame		
215 - 215T Frame		

Position 4: Motor Type

- C— Cap. Start/Ind. Run
- D— Direct Current
- K— Cap. Start/Cap. Run
- P— Permanent Split
- S— Split Phase
- T—Three Phase
- B—Brushless DC
- H—Hysteresis Sync.
- R—Reluctance Sync.

Position 5: RPM

RPM-Single Speed	RPM-Multi-Speed
34 - 3450 RPM 60 Hz 2 Pole	24 - 2 and 4 Poles
28 - 2850 RPM 50 Hz 2 Pole	26 - 2 and 6 Poles
17 - 1725 RPM 60 Hz 4 Pole	82 - 2 and 8 Poles
14 - 1425 RPM 50 Hz 4 Pole	212 - 2 and 12 Poles
11 - 1140 RPM 60 Hz 6 Pole	46 - 4 and 6 Poles
9 - 950 RPM 50 Hz 6 Pole	48 - 4 and 8 Poles
8 - 960 RPM 60 Hz 8 Pole	410 - 4 and 10 Poles
7 - 720 RPM 50 Hz 8 Pole	412 - 4 and 12 Poles
7 - 795 RPM 60 Hz 10 Pole	68 - 6 and 8 Poles
6 - 580 RPM 50 Hz 10 Pole	
6 - 580 RPM 60 Hz 12 Pole	

Odd frequencies other than 50 Hz show synchronous speed code.

DC and special motors may have one, two, or three digits indicating motor speed rounded to the nearest hundred RPM.

Position 6: Enclosure

- D— Drip-Proof
- E— Explosion-Proof TENV
- F— Fan Cooled
- N— TENV
- O— Open
- S— Splashproof
- W— Weatherproof, Severe Duty, Chemical Duty, WASHGUARD™ - TEFC
- X— Explosion-Proof TEFC
- V— Weatherproof, Severe Duty, Chemical Duty, WASHGUARD™ - TENV

Position 7: Mounting

- B— Rigid base standard
- C— "C" face - no base - NEMA
- D— "D" flange - no base - NEMA
- H— 48 frame - 56 frame mounting/shaft rigid
- J— 48 frame - 56 frame mounting/shaft resilient
- K— Rigid mount with "C" flange
- L— Rigid mount with "D" flange
- M— Motor parts - rotor and stator
- R— Resilient base
- S— Shell motor
- T— Torpedo (face-less/base-less)
- Z— Special mounting

Position 8: Sequence Number

Number assigned as required when new designs with new characteristics are needed.

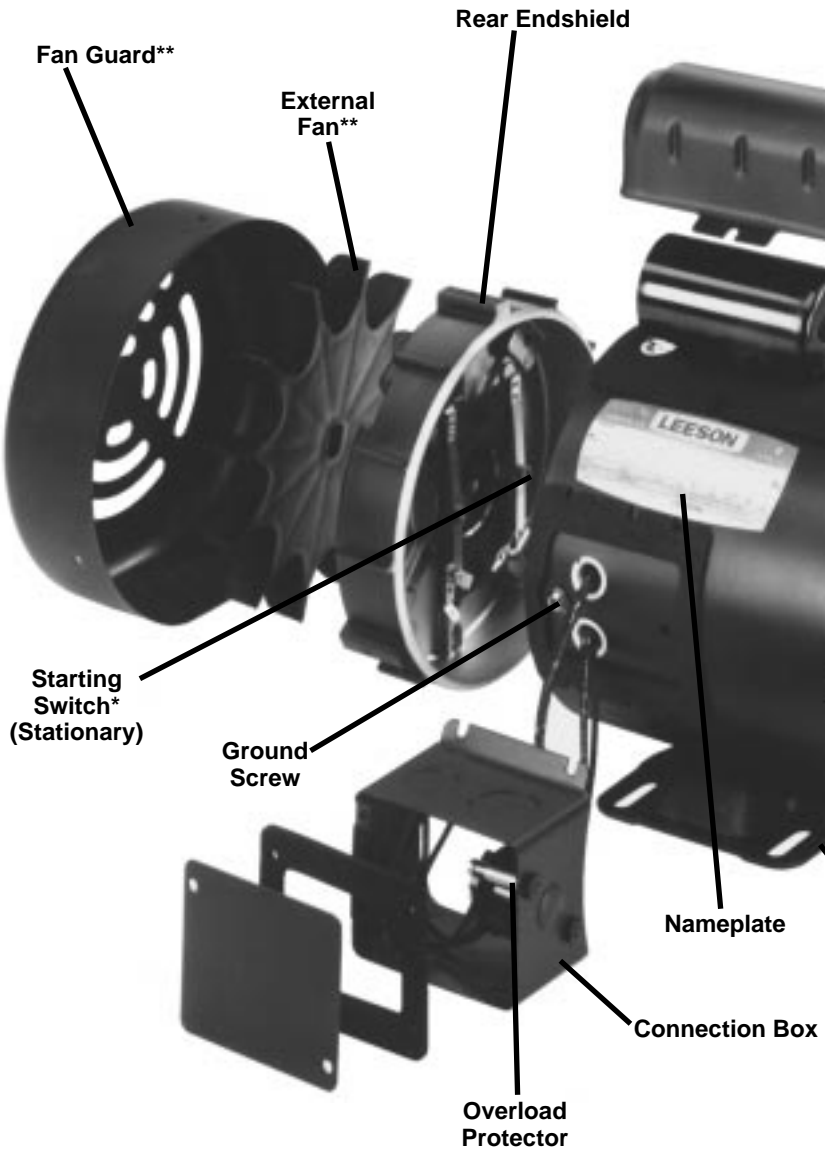
Position 9: Modification Letter

Major modification letter. Used when revisions made in existing model *will* affect service parts.

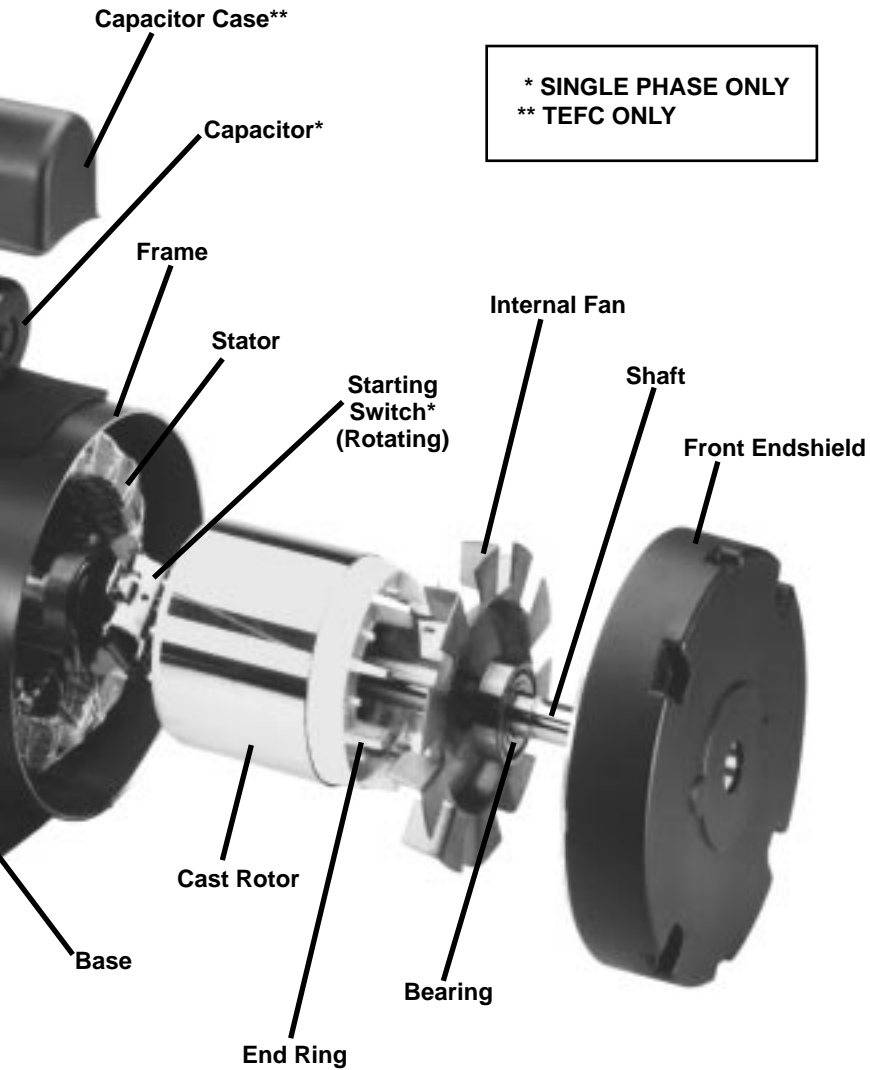
Position 10: (Optional)

A date code consisting of either A-Z.

Major Components



of an Electric Motor



CHAPTER VI

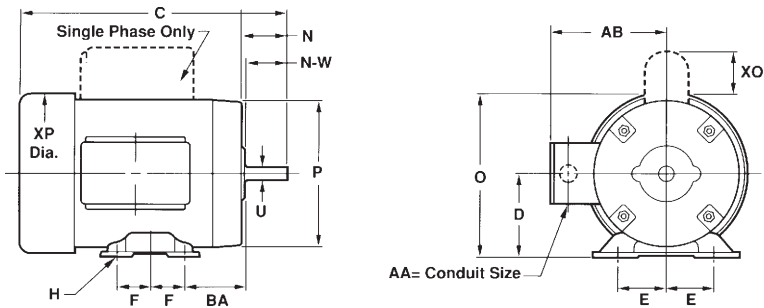
Metric (IEC) Designations and Dimensions

Metric (IEC) Designations

The International Electrotechnical Commission (IEC) is a European-based organization that publishes and promotes worldwide mechanical and electrical standards for motors, among other things. In simple terms, it can be said that IEC is the international counterpart to the National Electrical Manufacturers Association (NEMA), which publishes the motor standards most commonly used throughout North America.

Dimensionally, IEC standards are expressed in metric units.

IEC / NEMA Dimensional Comparison



* Shaft dimensions of these IEC frames may vary between manufacturers.

**Horsepower listed is closest comparable rating with similar mounting dimensions. In some instances, this results in a greater HP rating than required. For example, 37 kW 4 pole converts to 50 HP but nearest HP rating in the NEMA frame having comparable dimensions is 75 HP. OBSERVE CAUTION if the drive train or driven load is likely to be damaged by the greater HP.

Equivalent HP can be calculated by multiplying the kW rating by 1.341. Multiply HP by .7457 to convert HP to kW.

To convert from millimeters to inches multiply by .03937.

To convert from inches to millimeters multiply by 25.40.

		Dimensions in Millimeters							KW/HP** Frame Assignments		
IEC	NEMA	D	E	F	H	U	B A	N-W	3 Phase - TEFC		
									2 Pole	4 Pole	6 Pole
56	NA	56 -	45 -	35.5 -	5.8 -	9 -	3 6 -	2 0 -	- -	- -	- -
63	NA	63 -	50 -	40 -	7 -	11 -	4 0 -	2 3 -	25KW 1/3HP	18KW 1/4HP	- -
71	42	71 66.7	56 44.5	45 21.4	7 7.1	14 9.5	45 52.4	3 0 -	.55 3/4	.37 1/2	- -
80	48	80 76.2	62.5 54	50 34.9	10 8.7	19 12.7	50 63.5	4 0 38.1	11 1-1/2	.75 1	55KW 3/4HP
90S	56	90 88.9	70 61.9	50 38.1	10 8.7	24 15.9	56 69.9	50 47.6	1.5 2	1.1 1-1/2	.75 1
90L	56	90 88.9	70 69.8	62.5 50.8	10 8.7	24 22.2	56 57.2	50 57.2	2.2 3	1.5 2	1.1 1-1/2
100L	145T	100 88.9	80 69.8	70 63.5	12 8.7	28 22.2	63 57.2	60 57.2	3 4	2.2 3	1.5 2
112L	182T	112 114.3	95 95.2	57 57.2	12 10.7	28 28	70 70	60 69.9	3.7 5	2.2 3	1.5 2
112M	184T	112 114.3	95 95.2	70 68.2	12 10.7	28 28	70 70	60 69.9	3.7 5	4 5 4/5	2.2 -
132S	213T	132 133.4	108 108	70 69.8	12 10.7	38 34.9	89 89	80 85.7	7.5 10	5.5 7-1/2	3 -
132M	215T	132 133.4	108 108	89 88.8	12 10.7	38 34.9	89 89	80 85.7	- -	7.5 10	5.5 7-1/2
160M*	254T	160 158.8	127 127	105 104.8	15 13.5	42 41.3	108 108	110 101.6	15 20	11 15	7.5 10
160L*	256T	160 158.8	127 127	127 127	15 13.5	42 41.3	108 108	110 101.6	18.5 25	15 20	11 15
180M*	284T	180 177.8	139.5 139.8	120.5 120.2	15 13.5	48 47.6	121 121	110 117.5	2.2 -	18.5 25	- -
180L*	286T	180 177.8	139.5 139.8	139.5 139.8	15 13.5	48 47.6	121 121	110 117.5	2.2 30	2.2 30	15 20
200M*	324T	180 203.3	159 158.8	133.5 133.4	19 16.7	55 54	133 133	110 133.4	30 40	30 40	- -
200L*	326T	200 203.2	159 158.8	152.5 152.4	19 16.7	55 54	133 133	110 133.4	37 50	37 50	2.2 30
225S*	364T	225 228.6	178 117.8	143 142.8	19 16.7	60 60.3	149 149	140 149.2	- -	37 50/75	30 40
225M*	365T	225 228.6	178 177.8	155.5 155.6	19 16.7	60 60.3	149 149	140 149.2	45 60/75	45 60/75	37 50
250M*	405T	250 254	203 203.2	174.5 174.6	24 20.6	65 73	168 168	140 182.2	55 75/100	55 75/100	- -
280S*	444T	280 279.4	228.5 228.6	184 184.2	24 20.6	75 85.7	190 190	140 215.9	- -	- -	45 60/100
280M*	445T	280 279.4	228.5 228.6	209.5 209.6	24 20.6	75 85.7	190 190	140 215.9	- -	- -	55 75/125

See footnotes on page 38

IEC Enclosure Protection Indexes

Like NEMA, IEC has designations indicating the protection provided by a motor's enclosure. However, where NEMA designations are in words, such as Open Drip Proof or Totally Enclosed Fan Cooled, IEC uses a two-digit Index of Protection (IP) designation. The first digit indicates how well-protected the motor is against the entry of solid objects, the second digit refers to water entry.

By way of general comparison, an IP 23 motor relates to Open Drip Proof, IP 44 to totally enclosed.

Protection Against Solid Objects		Protection Against Liquids	
<i>Number</i>	<i>Definition</i>	<i>Number</i>	<i>Definition</i>
0	No protection	0	No protection
1	Protected against solid objects of over 50mm (e.g. accidental hand contact)	1	Protected against water vertically dripping (condensation)
2	Protected against solid objects of over 12mm (e.g. finger)	2	Protected against water dripping up to 15° from the vertical
3	Protected against solid objects of over 2.5 mm (e.g. tools, wire)	3	Protected against rain falling at up to 60° from the vertical
4	Protected against solid objects of over 1 mm (e.g. thin wire)	4	Protected against water splashes from all directions.
5	Protected against dust	5	Protected against jets of water from all directions
6	Totally protected against dust.	6	Protected against jets of water comparable to heavy seas.
		7	Protected against the effects of immersion to depths of between 0.15 and 1m
		8	Protected against the effects of prolonged immersion at depth

IEC Cooling, Insulation and Duty Cycle Indexes

IEC has additional designations indicating how a motor is cooled (two-digit IC codes). For most practical purposes, IC 01 relates to a NEMA open design, IC 40 to Totally Enclosed Non-Ventilated (TENV), IC 41 to Totally Enclosed Fan Cooled (TEFC), and IC 48 to Totally Enclosed Air Over (TEAO).

IEC winding insulation classes parallel those of NEMA and in all but very rare cases use the same letter designations.

Duty cycles are, however, different. Where NEMA commonly designates either continuous, intermittent, or special duty (typically expressed in minutes), IEC uses eight duty cycle designations.

S1 - Continuous duty. The motor works at a constant load for enough time to reach temperature equilibrium.

S2 - Short-time duty. The motor works at a constant load, but not long enough to reach temperature equilibrium, and the rest periods are long enough for the motor to reach ambient temperature.

S3 - Intermittent periodic duty. Sequential, identical run and rest cycles with constant load. Temperature equilibrium is never reached. Starting current has little effect on temperature rise.

S4 - Intermittent periodic duty with starting. Sequential, identical start, run and rest cycles with constant load. Temperature equilibrium is not reached, but starting current affects temperature rise.

S5 - Intermittent periodic duty with electric braking. Sequential, identical cycles of starting, running at constant load, electric braking, and rest. Temperature equilibrium is not reached.

S6 - Continuous operation with intermittent load. Sequential, identical cycles of running with constant load and running with no load. No rest periods.

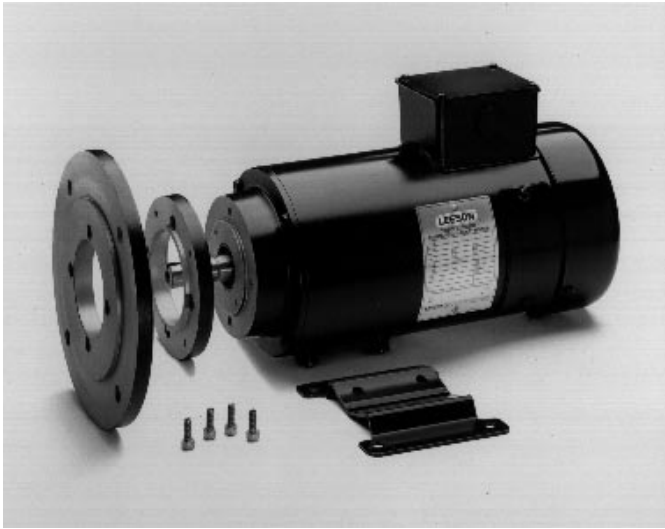
S7 - Continuous operation with electric braking. Sequential identical cycles of starting, running at constant load and electric braking. No rest periods.

S8 - Continuous operation with periodic changes in load and speed. Sequential, identical duty cycles of start, run at constant load and given speed, then run at other constant loads and speeds. No rest periods.

IEC Design Types

The electrical performance characteristics of IEC Design N motors in general mirror those of NEMA Design B — the most common type of motor for industrial applications. By the same token, the characteristics of IEC Design H are nearly identical to those of NEMA Design C. There is no specific IEC equivalent to NEMA Design D. (See chart on Page 15 for characteristics of NEMA design types.)

IEC Mounting Designations



Three common IEC mounting options are shown in this photo. From left, a B5 flange, B14 face and rigid B3 base. In this case, any of the options can be bolted to a modularly designed round-body IEC 71 frame motor.

CHAPTER VII

Maintenance

Motors, properly selected and installed, are capable of operating for many years with a reasonably small amount of maintenance.

Before servicing a motor and motor-operated equipment, disconnect the power supply from motors and accessories. Use safe working practices during servicing of the equipment.

Clean motor surfaces and ventilation openings periodically, preferably with a vacuum cleaner. Heavy accumulations of dust and lint will result in overheating and premature motor failure.

Lubrication Procedure

Motors 10 HP and smaller are usually lubricated at the factory to operate for long periods under normal service conditions without re-lubrication. Excessive or too frequent lubrication may actually damage the motor. Follow instructions furnished with the motor, usually on the nameplate or terminal box cover or on a separate instruction. If instructions are not available, re-lubricate according to the chart on the next page. Use high-quality ball bearing grease. Grease consistency should be suitable for the motor's insulation class. For Class B, F or H, use a medium consistency polyurea grease such as Shell Dolium R.

If the motor is equipped with lubrication fitting, clean the fitting tip, and apply grease gun. Use one to two full strokes on NEMA 215 frame and smaller motors. Use two to three strokes on NEMA 254 through NEMA 365 frame. Use three to four strokes on NEMA 404 frames and larger. For motors that have grease drain plugs, remove the plugs and operate the motor for 20 minutes before replacing the plugs.

For motors equipped with slotted head grease screws, remove the screw and insert a two-inch to three-inch long grease string into each hole on motors in NEMA 215 frame and smaller.

Insert a three-inch to five-inch length on larger motors. For motors having grease drain plugs, remove the plug and operate the motor for 20 minutes before replacing the plugs.

Relubrication Intervals Chart For Motors Having Grease Fittings

Hours of Service Per Year	HP Range	Suggested Relube Interval
5000	1/8 to 7.5 10 to 40 50 to 100	5 years 3 years 1 year
Continuous Normal Applications	to 7.5 10 to 40 50 to 100	2 years 1 year 9 months
Seasonal Service - Motor is idle for 6 months or more	All	1 year (beginning of season)
Continuous high ambients, high vibrations, or where shaft end is hot (pumps fan)	1/8 to 40 50 to 150	6 months 3 months

Caution: Keep grease clean. Lubricate motors at a standstill. Do not mix petroleum grease and silicone grease in motor bearings.

CHAPTER VIII

Engineering Data

Temperature Conversion Table

Locate known temperature in °C / °F column.
Read converted temperature in °C or °F column.

°C	°C/°F	°F	°C	°C/°F	°F	°C	°C/°F	°F
-45.4	-50	-58	15.5	60	140	76.5	170	338
-42.7	-45	-49	18.3	65	149	79.3	175	347
-40	-40	-40	21.1	70	158	82.1	180	356
-37.2	-35	-31	23.9	75	167	85	185	365
-34.4	-30	-22	26.6	80	176	87.6	190	374
-32.2	-25	-13	29.4	85	185	90.4	195	383
-29.4	-20	-4	32.2	90	194	93.2	200	392
-26.6	-15	5	35	95	203	96	205	401
-23.8	-10	14	37.8	100	212	98.8	210	410
-20.5	-5	23	40.5	105	221	101.6	215	419
-17.8	0	32	43.4	110	230	104.4	220	428
-15	5	41	46.1	115	239	107.2	225	437
-12.2	10	50	48.9	120	248	110	230	446
-9.4	15	59	51.6	125	257	112.8	235	455
-6.7	20	68	54.4	130	266	115.6	240	464
-3.9	25	77	57.1	135	275	118.2	245	473
-1.1	30	86	60	140	284	120.9	250	482
1.7	35	95	62.7	145	293	123.7	255	491
4.4	40	104	65.5	150	302	126.5	260	500
7.2	45	113	68.3	155	311	129.3	265	509
10	50	122	71	160	320	132.2	270	518
12.8	55	131	73.8	165	329	136	275	527

$$^{\circ}\text{F} = \frac{9}{5} \times (^{\circ}\text{C}) + 32$$
$$^{\circ}\text{C} = \frac{5}{9} (^{\circ}\text{F} - 32)$$

Mechanical Characteristics

To Find:	Use:
Torque in Pound Feet	$\frac{HP \times 5250}{RPM}$
Horsepower	$\frac{Torque \times RPM}{5250}$
RPM	$\frac{120 \times Frequency}{Number\ of\ Poles}$

I = amperes

Eff = efficiency

PF = power factor

RPM = revolutions per
minute

E = volts

kW = kilowatts

HP = horsepower

kVA = kilovolt amperes

Electrical Characteristics

To Find:	Use: Single Phase	Or: Three Phase
Amperes Knowing HP	$\frac{HP \times 746}{E \times Eff \times PF}$	$\frac{HP \times 746}{1.73 \times E \times Eff \times PF}$
Amperes Knowing kW	$\frac{kW \times 1000}{E \times PF}$	$\frac{kW \times 1000}{1.73 \times E \times PF}$
Amperes Knowing kVA	$\frac{kVA \times 1000}{E}$	$\frac{kVA \times 1000}{1.73 \times E}$
Kilowatts	$\frac{I \times E \times PF}{1000}$	$\frac{1.73 \times I \times E \times PF}{1000}$
kVA	$\frac{I \times E}{1000}$	$\frac{1.73 \times I \times E}{1000}$
HP (output)	$\frac{I \times E \times Eff \times PF}{746}$	$\frac{1.73 \times I \times E \times Eff \times PF}{746}$

Decimal and Metric

Equivalents of Common Fractions of an Inch

Fraction	Decimal	Mm	Fraction	Decimal	Mm	
	$1/64$	0.01562	0.397	$33/64$	0.51562	13.097
$1/32$	0.03125	0.794	$17/32$	0.53125	13.494	
	$3/64$	0.04688	1.191	$35/64$	0.54688	13.891
$1/16$	0.06250	1.588	$9/16$	0.56250	14.288	
	$5/64$	0.07812	1.984	$37/64$	0.57812	14.684
$3/32$	0.09375	2.381	$19/32$	0.59375	15.081	
	$7/64$	0.10938	2.778	$39/64$	0.60938	15.478
$1/8$	0.12500	3.175	$5/8$	0.62500	15.875	
	$9/64$	0.14062	3.572	$41/64$	0.64062	16.272
$5/32$	0.15625	3.969	$21/32$	0.65625	16.669	
	$11/64$	0.17188	4.366	$43/64$	0.67188	17.066
$3/16$	0.18750	4.763	$11/16$	0.68750	17.463	
	$13/64$	0.20312	5.159	$45/64$	0.70312	17.859
$7/32$	0.21875	5.556	$23/32$	0.71875	18.256	
	$15/64$	0.23438	5.953	$47/64$	0.73438	18.653
$1/4$	0.25000	6.350	$3/4$	0.75000	19.050	
	$17/64$	0.26562	6.747	$49/64$	0.76562	19.447
$9/32$	0.28125	7.144	$25/32$	0.78125	19.844	
	$19/64$	0.29688	7.541	$51/64$	0.79688	20.241
$5/16$	0.31250	7.938	$13/16$	0.81250	20.638	
	$21/64$	0.32812	8.334	$53/64$	0.82812	21.034
$11/32$	0.34375	8.731	$27/32$	0.84375	21.431	
	$23/64$	0.35938	9.128	$55/64$	0.85938	21.828
$3/8$	0.37500	9.525	$7/8$	0.87500	22.225	
	$25/64$	0.39062	9.922	$57/64$	0.89062	22.622
$13/32$	0.40625	10.319	$29/32$	0.90625	23.019	
	$27/64$	0.42188	10.716	$59/64$	0.92188	23.416
$7/16$	0.43750	11.113	$15/16$	0.93750	23.813	
	$29/64$	0.45312	11.509	$61/64$	0.95312	24.209
$15/32$	0.46875	11.906	$31/32$	0.96875	24.606	
	$31/64$	0.48438	12.303	$63/64$	0.98438	25.003
$1/2$	0.50000	12.700	$1/1$	1.00000	25.400	

CHAPTER IX

Common Motor Types and Typical Applications

Alternating Current Designs

Single Phase * Rigid Base Mounted * Capacitor Start * Totally Enclosed Fan Cooled (TEFC) & Totally Enclosed Non-Vent (TENV)

General purpose including compressors, pumps, fans, farm equipment, conveyors, material handling equipment and machine tools.

Single Phase * Rigid Base Mounted * Capacitor Start * Open Drip Proof (ODP)

General purpose including compressors, pumps, conveyors, fans, machine tools and air conditioning units -- usually inside or where protected from weather, dust and contaminants.

Three Phase * Rigid Base Mounted * TEFC

General purpose including pumps, compressors, fans, conveyors, machine tools and other applications where three-phase power is available.

Three Phase * Rigid Base Mounted * ODP

General purpose including pumps, compressors, machine tools, conveyors, blowers, fans and many other applications requiring three-phase power, usually inside or where protected from weather, dust and contaminants.

Single Phase * NEMA C Face Less Base * Capacitor Start * TEFC & TENV

Pumps, fans, conveyors, machine tools and gear reducers.

Single Phase * NEMA C Face Less Base * Capacitor Start * ODP

Fans, blowers, compressors, tools and speed reducers.

Three Phase * NEMA C Face Less Base * TEFC & TENV

Fans, blowers, compressors, tools and speed reducers where three-phase power is suitable.

Three Phase * NEMA C Face Less Base * ODP

Fans, blowers, compressors, tools and speed reducers.

Washdown-Duty * Single & Three Phase * TENV & TEFC

Extended life in applications requiring regular hose-downs with cleaning solutions, as in food processing and for applications in wet, high humidity environments. Also available in direct current designs.

Explosion Proof * Single & Three Phase * TENV & TEFC

Designed and listed for application in hazardous environments having certain explosive gases or materials present on equipment, such as blowers, pumps, agitators or mixers.

Chemical Service Motors * Rigid Base

Petrochemical plants, foundries, pulp and paper plants, waste management facilities, chemical plants, tropical climates and other processing industry applications requiring protection against corrosion caused by severe environmental operating conditions.

Brake Motors * Single & Three Phase

Machine tools, hoists, conveyors, door operators, speed reducers, valves, etc., when stop and hold performance is required when power is removed from the motor by the use of a spring-set friction brake.

Resilient Mounted * Single & Three Phase * Moderate Starting Torques

General purpose applications where quiet operation is preferred for fan and blower service.

Resilient Mounted * Single & Three Phase * Two Speed * Two Winding * Variable Torque:

Belted or fan-on-shaft applications.

Rigid Mounted * Totally Enclosed Air Over (TEAO) * Single & Three Phase

Dust-tight motors for shaft-mounted or belt-driven fans. The motor depends upon the fan's airflow to cool itself.

HVAC Blower Motors * Three Phase * Automatic Reset Overload Protector * Resilient Base * ODP

Heating, ventilating and air conditioning applications requiring moderate starting torque and thermal protection.

Condenser Fan Motors * Three Phase * Belly Band Mount * ODP

For operating vertical shaft-up on condenser fan, air-over applications, such as rooftop air conditioning units.

Two Speed * Three Phase * Variable Torque

Fans, blowers and centrifugal pumps. Variable torque motors have horsepower ratings that vary as the square of the speed, while torque varies directly with the speed.

Two Speed * Three Phase * Constant Torque

Mixers, compressors, conveyors, printing presses, extractors, feeders and laundry machines. Constant torque motors are capable of developing the same torque for all speeds. Their horsepower ratings vary directly with the speed.

Two Speed * Three Phase * Constant Horsepower

Machine tools, such as drills, lathes, punch presses and milling machines. Constant horsepower motors develop the same horsepower at all operating speeds, and the torque varies inversely with the speed.

Jet Pump Motors * Single & Three Phase

Residential and industrial pumps, plus swimming pool pumps. The pump impeller is mounted to the motor shaft.

JM Pump Motors * Single & Three Phase

Continuous duty service on close-coupled pumps using NEMA JM mounting provisions. Commonly used for circulating and transferring fluids in commercial and industrial water pumps.

Compressor Duty * Single & Three Phase

Air compressor, pump-fan and blower duty applications which require high breakdown torque and overload capacity matching air compressor loading characteristics.

Woodworking Motors * Single Phase * TEFC

High maximum torques for saws, planers and similar woodworking equipment.

Instant Reversing Motors * Resilient Mount * Single Phase * ODP

Specially designed motors for use on instant-reversing parking gates, doors, slide gates or other moderate starting torque instant reversing application; capable of frequent reversing service.

Pressure Washer Pump Motors * Rigid Mount & Rigid Mount with NEMA C Face * Single Phase * ODP

Hot or cold pressure washers and steam cleaners.

IEC Metric Motors * Three Phase

For replacement on imported machined tools, textile machinery and other equipment having metric dimensioned motors. Also available in direct current designs.

Farm Duty * High Torque & Extra High Torque * Rigid Base Mount & C Face Less Base

Severe agricultural equipment applications requiring high torques under adverse operating conditions such as low temperatures.

Agricultural Fan Duty * Resilient & Rigid Base Mount * Single & Three Phase * TEAO

Dust-tight fan and blower duty motors for shaft-mounted or belt-driven fans. The motor depends upon the fan's air flow to cool itself.

Feed-Auger Drive Motors * Single Phase

Dust-tight auger motors eliminate damage caused when the motor is over-speeded by an obstructed auger. Special flange mounts directly to the auger gear reducer.

Hatchery/Incubator Fan Motor * Band Mounted * Single Phase * TEAO

Replacement for use on poultry incubator fans. Includes extended through bolts for attaching farm shroud.

Feather Picker Motor * Rigid Mount * Three Phase * TEFC

Washdown-duty motor replaces the MEYN drive motor of a processing machine that removes feathers from poultry.

Milk Transfer Pump Motor * Rigid Base * Single Phase * TENV

Replacement in dairy milk pumps.

Grain Stirring Motors * Rigid Base * Single Phase * TEFC

Designed to operate inside agricultural storage bins for stirring grain, corn, and other agricultural products during the drying and storage process.

Irrigation Drive Motors * C Face Less Base * Three Phase * TEFC

For center pivot irrigation systems exposed to severe weather environments and operating conditions. Drives the tower that propels sprinklers in a circle around the well.

Direct Current Designs

High-Voltage, SCR-Rated Brush-Type * Permanent Magnet Field * C Face With Removable Base * TEFC

Generally used for conveyors, machine tools, hoists or other applications requiring smooth, accurate adjustable-speed capabilities through the use of thyristor-based controls, often with dynamic braking and reversing also required. Usually direct-coupled to driven machinery, with the motor often additionally supported by a base for maximum rigidity. Such motors are also applicable where extremely high starting torque, or high intermittent-duty running torques are needed, even if the application may not require adjustable speed.

High-Voltage, SCR-Rated Brush-Type * Permanent Magnet Field * Washdown-Duty Enhancements * C Face With Removable Base * TENV

Designed for extended life on food-processing machines or other high-humidity environments where adjustable speed is required.

Low-Voltage Brush-Type * Permanent Magnet Field * C Face With Removable Base * TENV

For installations operating from battery or solar power, or generator-supplied low-voltage DC. One key application is a pump operating off a truck battery. Like high-voltage counterparts, low-voltage designs provide linear speed/torque characteristics over their entire speed range, as well as dynamic braking, easy reversing and high torque.

Brushless DC * C Face With Rigid Base * TENV

For industrial use, these motors must be matched to the appropriate control and are therefore usually sold as a drive package. BDC drive systems offer high-precision speed and torque control unattainable through any other means. They combine the extremely low maintenance of an AC system with speed and torque features of conventional DC, and have higher efficiencies than either. Their electronic requirements, however, come at a higher purchase cost, generally limiting brushless DC systems to applications requiring only the highest degree of control, such as very precise machinery.

Gearmotors

AC or DC * Base Mounted * TENV * Parallel Shaft or Right-Angle Gearbox

Motors coupled with speed-reducers for applications requiring slow speeds and extremely high output torque relative to motor horsepower. DC designs are often used with SCR-type adjustable speed controls.

Brakemotors

Single Phase or Three Phase * C Face With or Without Base or Rigid Base * TEFC or ODP

Pre-matched, pre-connected motor and spring-set brake packages providing stop-and-hold protection, typically for lifting devices. Brake is open when electricity is supplied to the motor, closed when power is halted. Brake features can also be added to standard motors through conversion kits that mount on the fan end of TEFC motors, or through coupler brakes with double NEMA C face mounting that attach to the shaft end of either fan-cooled or open motors.

CHAPTER X

Glossary

Actuator: A device that creates mechanical motion by converting various forms of energy to rotating or linear mechanical energy.

Air-Over (AO): Motors for fan or blower service that are cooled by the air stream from the fan or blower.

Alternating Current (AC): The standard power supply available from electric utilities.

Ambient Temperature: The temperature of the air which, when coming into contact with the heated parts of a motor, carries off its heat. Ambient temperature is commonly known as room temperature.

Ampere (Amp): The standard unit of electric current. The current produced by a pressure of one volt in a circuit having a resistance of one ohm.

Armature:

- The rotating part of a brush-type direct current motor.
- In an induction motor, the squirrel cage rotor.

Bearings:

Sleeve: Common in home-appliance motors.

• *Ball:* Used when high shaft load (radial or axial thrust load) capacity is required. Ball bearings are usually used in industrial and agricultural motors. Occasionally, roller bearings may be used on larger horsepower motors for maximum radial load capacity.

Breakdown Torque: The maximum torque a motor can achieve with rated voltage applied at rated frequency, without a sudden drop in speed or stalling.

Brush: Current-conducting material in a DC motor, usually graphite, or a combination of graphite and other materials. The brush rides on the commutator of a motor and forms an electrical connection between the armature and the power source.

Canadian Standards Association (CSA): The agency that sets safety standards for motors and other electrical equipment used in Canada.

Capacitance: As the measure of electrical storage potential of a capacitor, the unit of capacitance is the farad, but typical values are expressed in microfarads.

Capacitor: A device that stores electrical energy. Used on single-phase motors, a capacitor can provide a starting "boost" or allow lower current during operation.

Centrifugal Starting Switch: A mechanism that disconnects the starting circuit of a motor when the rotor reaches approximately 75% of operating speed.

Cogging: Non-uniform or erratic rotation of a direct current motor. It usually occurs at low speeds and may be a function of the adjustable speed control or of the motor design.

Commutator: The part of a DC motor armature that causes the electrical current to be switched to various armature windings. Properly sequenced switching creates the motor torque. The commutator also provides the means to transmit the electrical current to the moving armature through the brushes that ride on the commutator.

Counter Electromotive Force: Voltage that opposes line voltage caused by induced magnetic field in a motor armature or rotor.

Current, AC: The power supply usually available from the electric utility company or alternators.

Current, DC: The power supply available from batteries, generators (not alternators), or a rectified source used for special purpose applications.

Duty Cycle: The relationship between the operating time and the resting time of an electric motor. Motor ratings according to duty are:

- *Continuous duty*, the operation of loads for over one hour.
- *Intermittent duty*, the operation during alternate periods of load and rest. Intermittent duty is usually expressed as 5 minutes, 30 minutes or one hour.

Efficiency: The ratio of the useful work performed and the energy expended in producing it.

Enclosure: The term used to describe the motor housing. The most common industrial types are: *Open Drip Proof (ODP)*, *Totally Enclosed Fan Cooled (TEFC)*, *Totally Enclosed Non-Ventilated (TENV)*, *Totally Enclosed Air Over (TEAO)*. (See Chapter IV for additional information).

Endshield: The part of a motor that houses the bearing supporting the rotor and acts as a protective guard to the internal parts of the motor; sometimes called endbell, endplate or end bracket.

Excitation: The act of creating magnetic lines of force from a motor winding by applying voltage.

Field: The stationary part of a DC motor, commonly consisting of permanent magnets. Sometimes used also to describe the stator of an AC motor.

Foot-Pound: Energy required to raise a one-pound weight against the force of gravity the distance of one foot. A measure of torque. Inch-pound is also commonly used on smaller motors. An inch-pound represents the energy needed to lift one pound one inch; an inch-ounce represents the energy needed to lift one ounce one inch.

Form Factor: Indicates how much AC component is present in the DC output from a rectified AC supply. Unfiltered SCR (thyristor) drives have a form factor (FF) of 1.40. Pure DC, as from a battery, has a form factor of 1.0. Filtered thyristor and pulse width modulated drives often have a form factor of 1.05.

Frame: Standardized motor mounting and shaft dimensions as established by NEMA or IEC.

Frequency: Alternating electric current frequency is an expression of how often a complete cycle occurs. Cycles per second describe how many complete cycles occur in a given time increment. Hertz (hz) has been adopted to describe cycles per second so that time as well as number of cycles is specified. The standard power supply in North America is 60 hz. Most of the rest of the world has 50 hz power.

Full Load Amperes (FLA): Line current (amperage) drawn by a motor when operating at rated load and voltage on motor nameplate. Important for proper wire size selection, and motor starter or drive selection. Also called full load current.

Full Load Torque: The torque a motor produces at its rated horsepower and full-load speed.

Fuse: A piece of metal, connected in the circuit to be protected, that melts and interrupts the circuit when excess current flows.

Generator: Any machine that converts mechanical energy into electrical energy.

Grounded Circuit:

- An electrical circuit coupled to earth ground to establish a reference point.
- An electric circuit malfunction caused by insulation breakdown, allowing current flow to ground rather than through the intended circuit.

Hertz: Frequency, in cycles per second, of AC power; usually 60 hz in North America, 50 hz in the rest of the world. Named after H. R. Hertz, the German scientist who discovered electrical oscillations.

High Voltage Test: Application of a voltage greater than the working voltage to test the adequacy of motor insulation; often referred to as high potential test or "hi-pot."

Horsepower: A measure of the rate of work. 33,000 pounds lifted one foot in one minute, or 550 pounds lifted one foot in one second. Exactly 746 watts of electrical power equals one horsepower. Torque and RPM may be used in relating to the horsepower of a motor. For fractional horsepower motors, the following formula may be used.

$$HP = T \text{ (in.-oz)} \times 9.917 \times N \times 107$$

where,

HP = horsepower

T = Torque

N = revolutions per minute

Hysteresis: The lagging of magnetism in a magnetic metal, behind the magnetizing flux which produces it.

IEC (International Electrotechnical Commission): The worldwide organization that promotes international unification of standards or norms. Its formal decisions on technical matters express, as nearly as possible, an international consensus.

Impedance: The total opposition in an electric circuit to the flow of an alternating current. Expressed in ohms.

Induction Motor: The simplest and most rugged electric motor, it consists of a wound stator and a rotor assembly. The AC induction motor is named because the electric current flowing in its secondary member (the rotor) is induced by the alternating current flowing in its primary member (the stator). The power supply is connected only to the stator. The combined electromagnetic effects of the two currents produce the force to create rotation.

Insulation: In motors, classified by maximum allowable operating temperature. NEMA classifications include: Class A = 105°C, Class B = 130°C, Class F = 155°C and Class H = 180°C.

Integral Horsepower Motor: A motor rated one horsepower or larger at 1800 RPM. By NEMA definitions, this is any motor having a three digit frame number, for example, 143T.

Kilowatt: A unit of power equal to 1000 watts and approximately equal to 1.34 horsepower.

Load: The work required of a motor to drive attached equipment. Expressed in horsepower or torque at a certain motor speed.

Locked Rotor Current: Measured current with the rotor locked and with rated voltage and frequency applied to the motor.

Locked Rotor Torque: Measured torque with the rotor locked and with rated voltage and frequency applied to the motor.

Magnetic Polarity: Distinguishes the location of North and South poles of a magnet. Magnetic lines of force emanate from the North pole of a magnet and terminate at the South pole.

Motor Types: Classified by operating characteristics and/or type of power required. The AC induction motor is the most common. There are several kinds of AC (alternating current) induction motors, including, for single-phase operation: *shaded pole*, *permanent split capacitor (PSC)*, *split phase*, *capacitor start/induction run* and *capacitor start/capacitor run*. Polyphase or three-phase motors are used in larger applications. Direct current (DC) motors are also common in industry as are gearmotors, brakemotors and other types. (See Chapter III for additional details).

Mounting, Basic Types: The most common motor mounts include: rigid base, resilient base C face or D flange, and extended through bolts. (See Chapter IV for additional details).

Mush Coil: A coil made with round wire.

National Electric Code (NEC): A safety code regarding the use of electricity. The NEC is sponsored by the National Fire Protection Institute. It is also used by insurance inspectors and by many government bodies regulating building codes.

NEMA (National Electrical Manufacturers Association): A non-profit trade organization, supported by manufacturers of electrical apparatus and supplies in the United States. Its standards alleviate misunderstanding and help buyers select the proper products. NEMA standards for motors cover frame sizes and dimensions, horsepower ratings, service factors, temperature rises and performance characteristics.

Open Circuit: A break in an electrical circuit that prevents normal current flow.

Output Shaft: The shaft of a speed reducer assembly that is connected to the load. This may also be called the drive shaft or the slow speed shaft.

Phase: The number of individual voltages applied to an AC motor. A single-phase motor has one voltage in the shape of a sine wave applied to it. A three-phase motor has three individual voltages applied to it. The three phases are at 120 degrees with respect to each other so that peaks of voltage occur at even time intervals to balance the power received and delivered by the motor throughout its 360 degrees of rotation.

Plugging: A method of braking a motor that involves applying partial or full voltage in reverse in order to bring the motor to zero speed.

Polarity: As applied to electric circuits, polarity indicates which terminal is positive and which is negative. As applied to magnets, it indicates which pole is North and which pole is South.

Poles: Magnetic devices set up inside the motor by the placement and connection of the windings. Divide the number of poles into 7200 to determine the motor's normal speed. For example, 7200 divided by 2 poles equals 3600 RPM.

Power Factor: The ratio of "apparent power" (expressed in kVA) and true or "real power" (expressed in kW).

$$\text{Power Factor} = \frac{\text{Real Power}}{\text{Apparent Power}}$$

Apparent power is calculated by a formula involving the "real power," that which is supplied by the power system to actually turn the motor, and "reactive power," which is used strictly to develop a magnetic field within the motor. Electric utilities prefer power factors as close to 100% as possible, and sometimes charge penalties for power factors below 90%. Power factor is often improved or "corrected" using capacitors. Power factor does not necessarily relate to motor efficiency, but is a component of total energy consumption.

Pull Out Torque: Also called breakdown torque or maximum torque, this is the maximum torque a motor can deliver without stalling.

Pull Up Torque: The minimum torque delivered by a motor between zero and the rated RPM, equal to the maximum load a motor can accelerate to rated RPM.

Reactance: The opposition to a flow of current other than pure resistance. Inductive reactance is the opposition to change of current in an inductance (coil of wire). Capacitive reactance is the opposition to change of voltage in a capacitor.

Relay: A device having two separate circuits, it is constructed so that a small current in one of the circuits controls a large current in the other circuit. A motor starting relay opens or closes the starting circuit under predetermined electrical conditions in the main circuit (run winding).

Reluctance: The characteristics of a magnetic field which resist the flow of magnetic lines of force through it.

Resistor: A device that resists the flow of electrical current for the purpose of operation, protection or control. There are two types of resistors -- fixed and variable. A fixed resistor has a fixed value of ohms while a variable resistor is adjustable.

Rotation: The direction in which a shaft turns is either clockwise (CW) or counter clockwise (CCW). When specifying rotation, also state if viewed from the shaft or opposite shaft end of motor.

Rotor: The rotating component of an induction AC motor. It is typically constructed of a laminated, cylindrical iron core with slots for cast-aluminum conductors. Short-circuiting end rings complete the "squirrel cage," which rotates when the moving magnetic field induces a current in the shorted conductors.

Service Factor: A measure of the overload capacity built into a motor. A 1.15 SF means the motor can deliver 15% more than the rated horsepower without injurious overheating. A 1.0 SF motor should not be loaded beyond its rated horsepower. Service factors will vary for different horsepower motors and for different speeds.

Short Circuit: A fault or defect in a winding causing part of the normal electrical circuit to be bypassed, frequently resulting in overheating of the winding and burnout.

Slip: The difference between RPM of the rotating magnetic field and RPM of the rotor in an induction motor. Slip is expressed in percentage and may be calculated by the following formula:

$$\text{Slip} = \frac{\text{Synchronous Speed} - \text{Running Speed}}{\text{Synchronous Speed}} \times 100$$

Speed Regulation: In adjustable speed drive systems, speed regulation measures the motor and control's ability to maintain a constant preset speed despite changes in load from zero to 100%. It is expressed as a percentage of the drive system's rated full load speed.

Stator: The fixed part of an AC motor, consisting of copper windings within steel laminations.

Temperature Rise: The amount by which a motor, operating under rated conditions, is hotter than its surrounding ambient temperature.

Temperature Tests: These determine the temperature of certain parts of a motor, above the ambient temperature, while operating under specific environmental conditions.

Thermal Protector: A device, sensitive to current and heat, which protects the motor against overheating due to overload or failure to start. Basic types include automatic reset, manual reset and resistance temperature detectors.

Thermostat: A protector, which is temperature-sensing only, that is mounted on the stator winding. Two leads from the device must be connected to a control circuit, which initiates corrective action. The customer must specify if the thermostats are to be normally closed or normally open.

Thermocouple: A pair of dissimilar conductors joined to produce a thermoelectric effect and used to accurately determine temperature. Thermocouples are used in laboratory testing of motors to determine the internal temperature of the motor winding.

Torque: The turning effort or force applied to a shaft, usually expressed in inch-pounds or inch-ounces for fractional and sub-fractional HP motors.

Starting Torque: Force produced by a motor as it begins to turn from standstill and accelerate (sometimes called locked rotor torque).

Full-Load Torque: The force produced by a motor running at rated full-load speed at rated horsepower.

Breakdown Torque: The maximum torque a motor will develop under increasing load conditions without an abrupt drop in speed and power. Sometimes called pull-out torque.

Pull-Up Torque: The minimum torque delivered by a motor between zero and the rated RPM, equal to the maximum load a motor can accelerate to rated RPM.

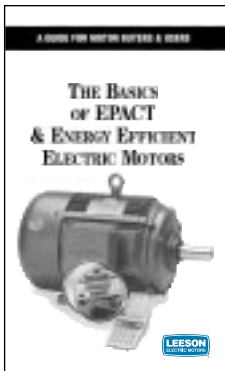
Transformer: Used to isolate line voltage from a circuit or to change voltage and current to lower or higher values. Constructed of primary and secondary windings around a common magnetic core.

Underwriters Laboratories (UL): Independent United States testing organization that sets safety standards for motors and other electrical equipment.

Voltage: A unit of electromotive force that, when applied to conductors, will produce current in the conductors.

Watt: The amount of power required to maintain a current of 1 ampere at a pressure of one volt when the two are in phase with each other. One horsepower is equal to 746 watts.

Winding: Typically refers to the process of wrapping coils of copper wire around a core, usually of steel. In an AC induction motor, the primary winding is a stator consisting of wire coils inserted into slots within steel laminations. The secondary winding of an AC induction motor is usually not a winding at all, but rather a cast rotor assembly. In a permanent magnet DC motor, the winding is the rotating armature.



Get the story on the U.S. Energy Policy Act and what it means to electric motor buyers and users. Call, fax or visit LEESON's home page on the World Wide Web to order your free copy of *The Basics of EPACT & Energy Efficient Electric Motors.*

LEESON ELECTRIC CORPORATION

GRAFTON, WI 53024-0241 U.S.A. <http://www.leeson.com> (414) 377-8810 FAX (414) 377-9025

LEESON CANADA

TELEPHONE (905) 670-4770 FAX (905) 670-4378
MISSISSAUGA (TORONTO), ONTARIO L5T 2J3

FOR MORE INFORMATION CONTACT: